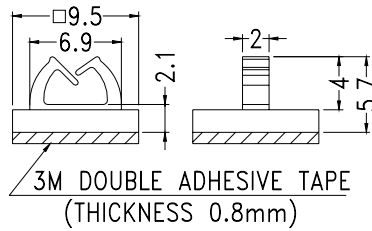


## WIRE SADDLE

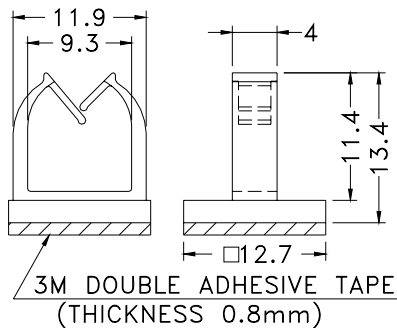
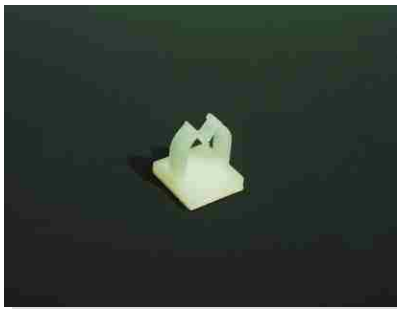
- ┆ MATERIAL: NYLON 66(UL)
- ┆ FLAME CLASS :94V-2
- ┆ COLOR:NATURAL
- ┆ UNIT:mm



PART NO	PACKAGE
YPWLCL-2	1000

## WIRE MOUNT

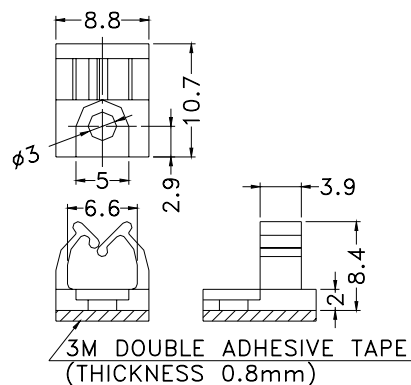
- ┆ MATERIAL: NYLON 66(UL)
- ┆ FLAME CLASS :94V-2
- ┆ COLOR:NATURAL
- ┆ UNIT:mm



PART NO	PACKAGE
YPWLCL-3	1000

## WIRE SADDLE

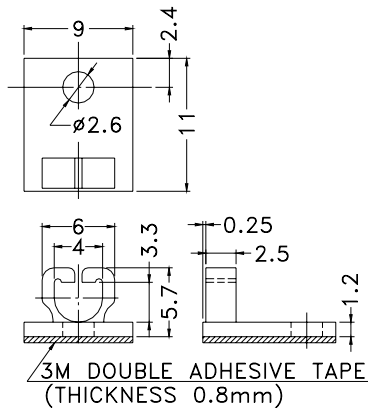
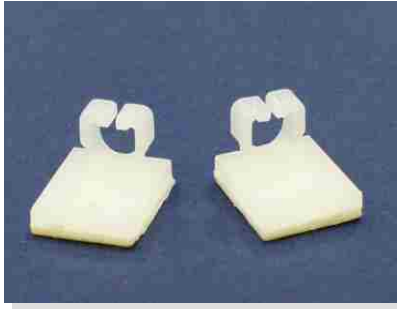
- ┆ MATERIAL: NYLON 66(UL)
- ┆ FLAME CLASS :94V-2
- ┆ COLOR:NATURAL
- ┆ UNIT:mm



PART NO	PACKAGE
YPMWCS-9	2000

## CABLE CLIP

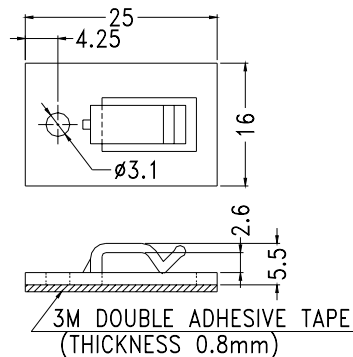
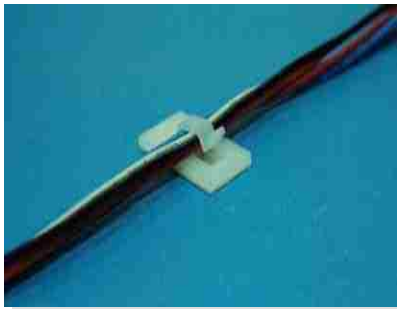
- ┆ MATERIAL: NYLON 66(UL)
- ┆ FLAME CLASS :94V-2
- ┆ COLOR:NATURAL
- ┆ UNIT:mm



PART NO	PACKAGE
YPIMCN-1	1000

## WIRE MOUNT

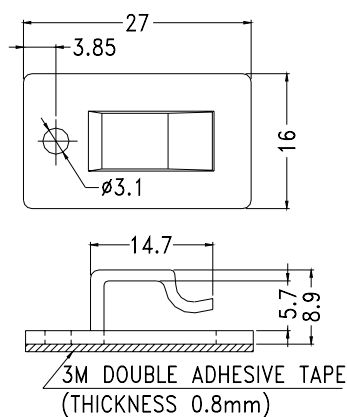
- ┆ MATERIAL: NYLON 66(UL)
- ┆ FLAME CLASS :94V-2
- ┆ COLOR:NATURAL/BLACK
- ┆ UNIT:mm



PART NO	PACKAGE
YPWCCS-1	500

## WIRE MOUNT

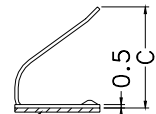
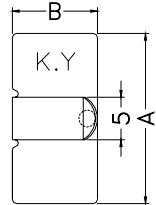
- ┆ MATERIAL: NYLON 66(UL)
- ┆ FLAME CLASS :94V-2
- ┆ COLOR:NATURAL/BLACK
- ┆ UNIT:mm



PART NO	PACKAGE
YPWCCS-2	500

## WIRE CLAMP

- ┆ MATERIAL:STEEL
- ┆ UNIT:mm

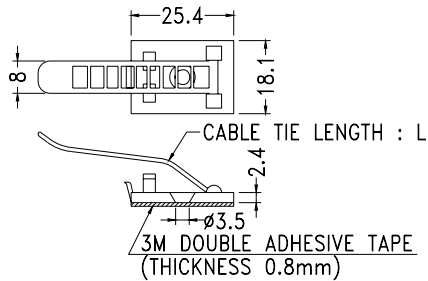


3M DOUBLE ADHESIVE TAPE  
(THICKNESS 0.8mm)

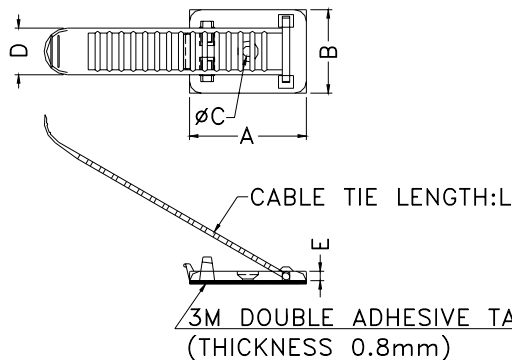
PART NO	A	B	C	PACKAGE
YPWCCM-1	20.0	10.0	12.5	1000
YPWCCM-2	25.0	15.0	18.0	500

## ADJUSTABLE WIRE CLAMP

- ┆ MATERIAL:NYLON 66(UL)
- ┆ FLAME CLASS :94V-2
- ┆ COLOR:NATURAL
- ┆ UNIT:mm



PART NO	L	PACKAGE
YPCLC-1	64.2	200
YPCLC-2	85.0	



PART NO.	A	B	C	D	E	L	PACKAGE
YPCCL-3	35.0	25.0	3.2	14.0	2.8	88.3	200
YPCCL-4						127	100