

POWER RELAY

ULTRA SMALL HIGH VOLTAGE DC RELAY

FTR-J2 Series

■ FEATURES

- 10A, 450VDC high-voltage switching (2 x 10A, 200VDC switching)
- Contact voltage drop: Typical 0.1V
- Inrush current 150A (capacitive loads)
- Compact size (L x W x H = 24 x 23.5 x 27 mm)
- 2 x 1 form A
- High insulation (between contacts and coil)
 - Insulation distance: Clearance/creepage >6mm
 - Dielectric strength: 4,000VAC
 - Surge strength: 10,000V (1.2 x 50μ sec.)
- Plastic materials conform to UL94 flame class V-0
- Flux proof, RTII
- RoHS compliant



■ PARTNUMBER INFORMATION

[Example] FTR-J2 A K 012 W
 (a) (b) (c) (d) (e)

(a)	Relay type	FTR-J2	: FTR-J2 Series
(b)	Contact configuration	A	: 2 x 1 form A
(c)	Coil power	K	: Standard sensitivity
(d)	Coil rated voltage	012	: 5....110VDC See coil data chart
(e)	Contact material	W	: Silver alloy

Actual marking does not carry the type name "FTR",
 E.g.: Ordering code: "FTR-J2AK012W", actual marking: "J2AK012W"

FTR-J2 Series

■ SPECIFICATIONS (1/2)

Item	Specification		Remarks
Contact data	Configuration	1 form A x 2	
	Material	Silver alloy	
	Resistance	Max. 100mΩ	At 1A, 6VDC between contact terminals ^{Note 1}
	Contact rating	10A, 450VDC (resistive load)	When 2 contacts connected in series through a common load
		10A, 200VDC (resistive load)	When each NO contact is used independently
	Overload switching	10A, 500VDC (resistive load) 50 ops.	When 2 contacts connected in series through a common load
		10A, 250VDC (resistive load) 50 ops.	When each NO contact is used independently
	Max. carrying current	12A per contact	2 contacts connected in series through a common load is counted as 1 contact ^{Note 2}
	Inrush current	Peak 150A per contact	2 contacts connected in series through a common load is counted as 1 contact ^{Note 2}
	Max. switching voltage	600VDC	When 2 contacts connected in series through a common load
		300VDC	When each NO contact is used independently
Contact voltage drop (initial)	Max. 0.1V per contact	At 10A, between contact terminals ^{Note 1}	
Min. switching load (reference*)	100mA 5VDC per contact	2 contacts connected in series through a common load is counted as 1 contact ^{Note 2}	
Coil	Rated power	530mW	Standard single coil at 20°C (Please refer to Coil Rating for 2 coils)
	Operating temperature range	-40°C to +85°C	No frost ^{Note 3}
Time	Operate	Max. 15ms (without bounce)	At nominal voltage, 20°C, with varistor
	Release	Max. 5ms (without bounce)	
Life	Mechanical	Min. 2M operations per contact	2 contacts connected in series through a common load is counted as 1 contact ^{Note 2}
	Electrical	Min. 10K operations per contact	2 contacts connected in series through a common load is counted as 1 contact ^{Note 2}

FTR-J2 Series

■ SPECIFICATIONS (2/2)

Item	Specification		Remarks	
Insulation	Insulation resistance		Min. 1,000MΩ at 500VDC	
	Dielectric strength	Open contacts	1,000VAC (50/60Hz), 1 minute ^{Note 2}	
		Adjacent contact	1,000VAC (50/60Hz), 1 minute ^{Note 1}	
		Coil to contacts	400VAC (50/60Hz), 1 minute ^{Note 2}	
Surge strength	Coil to contacts	10,000V / 1.2 x 50μs standard wave ^{Note 2}		
Others	Vibration resistance	Misoperation	10 to 55 to 10 Hz single amplitude 0.75mm	Coil ON/OFF, 3 axes, total 6 cycles
		Endurance	10 to 55 to 10 Hz single amplitude 0.75mm	Coil OFF, 3 axes, total 6 hours
	Shock resistance	Misoperation	Min. 200m/s ² (11 ± 1ms)	Coil ON/OFF, 3 axes, total 36 operations
		Endurance	Min. 1,000m/s ² (6 ± 1ms)	Coil OFF, 3 axes, total 18 operations
	Dimensions / weight		23.5 x 24.0 x 28.0 mm / approx. 26g	
	Sealing		Flux proof RT II	

Values of electrical characteristics are under 15 to 35°C, 25 to 75%RH, air pressure 86kPa to 106kPa (JIS standard condition) unless otherwise specified.

* Minimum switching loads mentioned above are reference values. Please perform the confirmation test with actual load before production since reference values may vary according to switching frequencies, environmental conditions and expected reliability levels.

Note 1: The specification value is applied to each contact in case 2 coils are connected in series through a common load.

Note 2: The contacts connected in series are considered as an integrated contact in case 2 coils are connected in series through a common load.

Note 3: There are cases where the relay does not operate when it is used at high ambient temperature. Please refer to characteristic data and apply adequate coil voltage.

- !** There would be a possibility that high voltage DC relay loses breaking current ability as one of failure modes. Please provide fail safeness design on the circuit. To secure safety, the relay shall not be used in exceeding its specifications including operation life, and handle the relay as a periodic maintenance component.
- !** Relay contact terminals have polarity. Please connect higher potential side of the load to (+). Please refer to recommended circuit layout.
- !** Please always use a varistor to protect the coil from back electromotive force. Use of other protection element may shorten relay life excessively.
- !** Varistor shall be connected in parallel to the relay coil. Please refer to recommended circuit layout. Varistor voltage shall have 3 times as high as applied coil voltage.
- !** Care shall be taken on the heat generated on PC board when maximum carrying current exceeds 10A. Please perform the confirmation test with actual conditions.

FTR-J2 Series

■ COIL DATA

- Standard single coil

Coil Code	Rated Coil Voltage (VDC)	Coil Resistance $\pm 10\%$ (Ω)	Must Operate Voltage* (VDC)	Must Release Voltage* (VDC)	Rated Power ($\pm 10\%$) (W)
005	5	47	3.5	0.25	Approx. 0.53
006	6	68	4.2	0.3	
012	12	270	8.4	0.6	
024	24	1,100	16.8	1.2	
048	48	4,400	33.6	2.4	
060	60	6,790	42.0	3.0	
110	110	22,800	77.0	5.5	

- 2 coils in series (Connect relay coil terminal No.2 to No.3) See note 2

Coil Code	Rated Coil Voltage (VDC)	Coil Resistance $\pm 10\%$ (Ω)	Must Operate Voltage* (VDC)	Must Release Voltage* (VDC)	Rated Power ($\pm 10\%$) (W)
005	10	94	7.0	0.5	Approx. 1.06
006	12	136	8.4	0.6	
012	24	540	16.8	1.2	
024	48	2,200	33.6	2.4	
048	96	8,800	67.2	4.8	
060	120	13,580	84	6.0	
110	220	45,600	154.0	11.0	

- 2 coils in parallel (Connect relay coil terminal No.1 to No.3 and No.2 to No.4)

Coil Code	Rated Coil Voltage (VDC)	Coil Resistance $\pm 10\%$ (Ω)	Must Operate Voltage* (VDC)	Must Release Voltage* (VDC)	Rated Power ($\pm 10\%$) (W)
005	5	23.5	3.5	0.25	Approx. 1.06
006	6	34	4.2	0.3	
012	12	135	8.4	0.6	
024	24	550	16.8	1.2	
048	48	2,200	33.6	2.4	
060	60	3,395	42.0	3.0	
110	110	11,400	77.0	5.5	

Note 1: All values in the tables are valid for 20° C and zero contact current.

Note 2: Nominal voltage is different from indication of part number

Note 3: Please use at rated coil voltage. Please refer to characteristic data and set up adequate voltage in case of use at over voltage.

* Specified operate values are valid for pulse wave voltage.

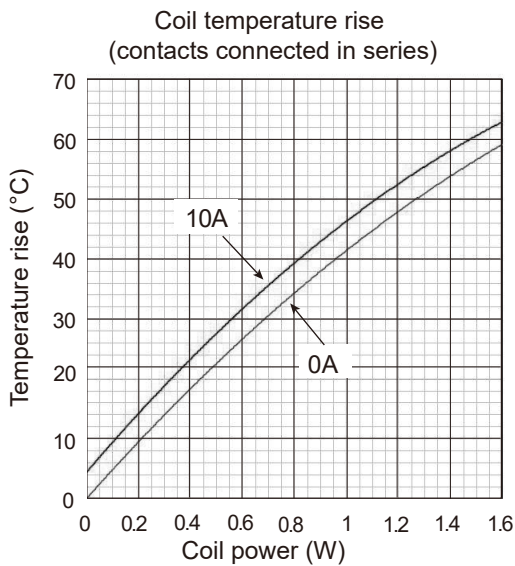
FTR-J2 Series

SAFETY STANDARDS

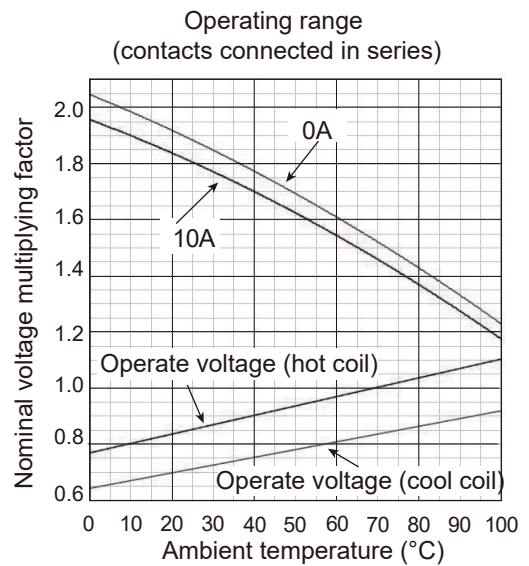
Type	Compliance	Contact Rating
UL	UL508 File No. E63615	10A, 450VDC, resistive, 10,000 cycles for series connection of each NO contact. 10A, 400VDC, resistive, 10,000 cycles for series connection of each NO contact. 10A, 200VDC, resistive, 10,000 cycles for each NO contact.
VDE	IEC/EN61810-1	10A, 400VDC, resistive, 10,000 cycles for series connection of each NO contact. 10A, 200VDC, resistive, 10,000 cycles for each NO contact

CHARACTERISTIC DATA (Reference)

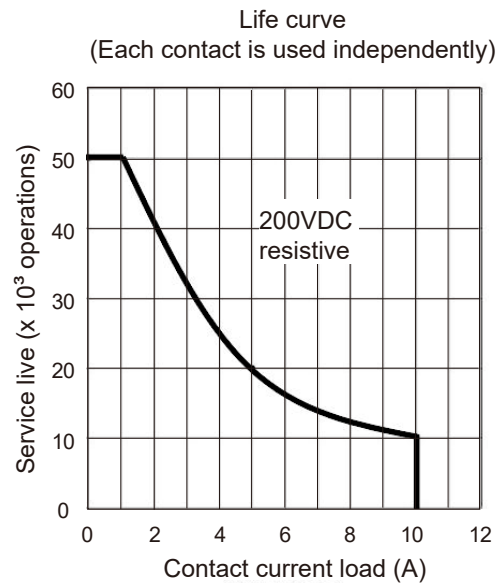
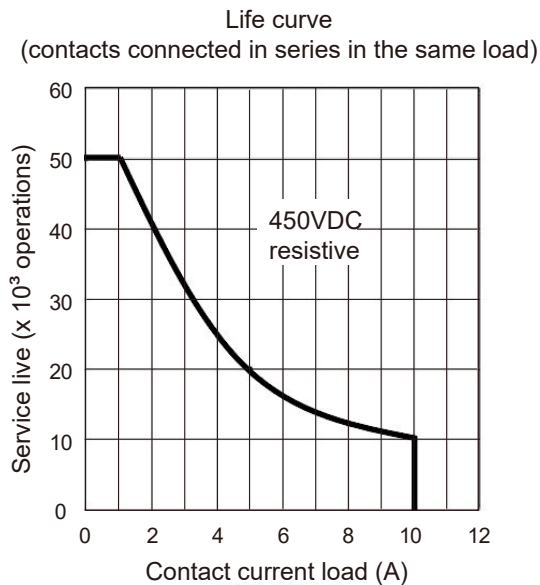
* Characteristic data is not guaranteed value, but measured values of samples from production lines.



Note: When each contact is used independently, above graph shall be read; same voltage is applied on 2 coils, coil power is sum of 2 coils, applied current 10A is 10A apply on each contact set.

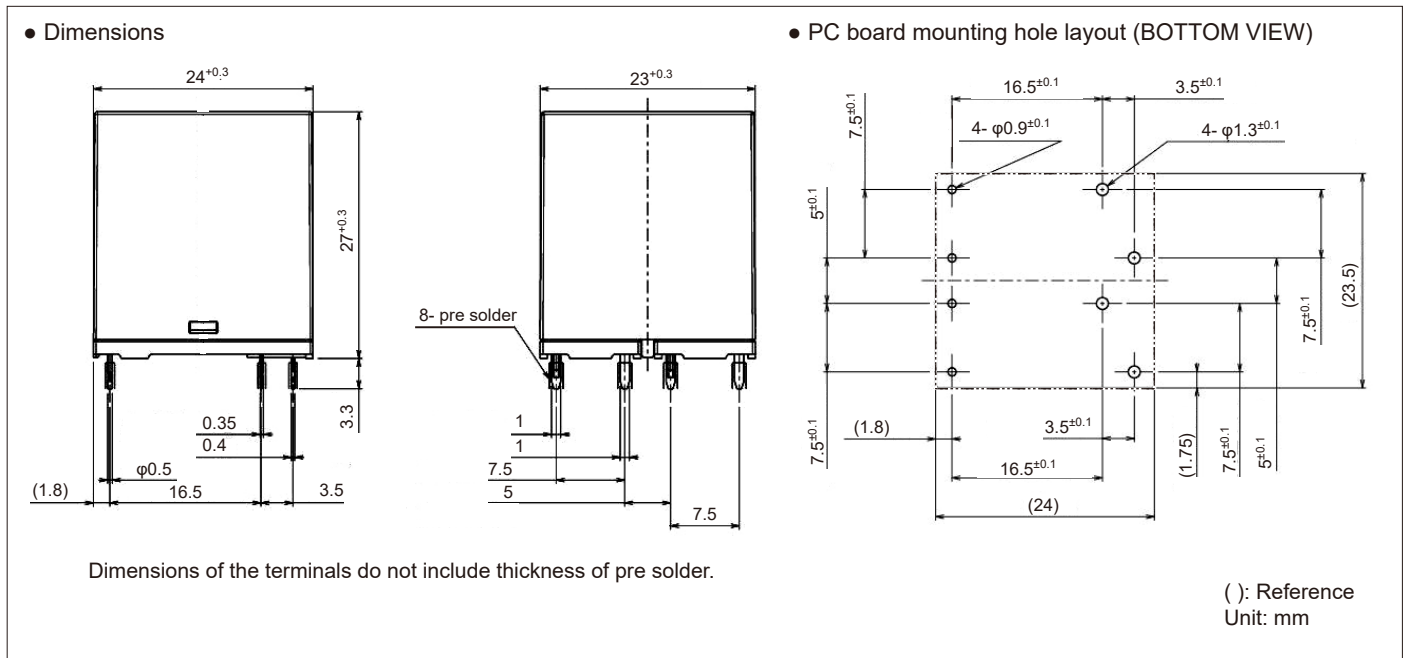


Note: When each contact is used independently, above graph shall be read; same voltage is applied on 2 coils, applied current 10A is 10A apply on each contact set.

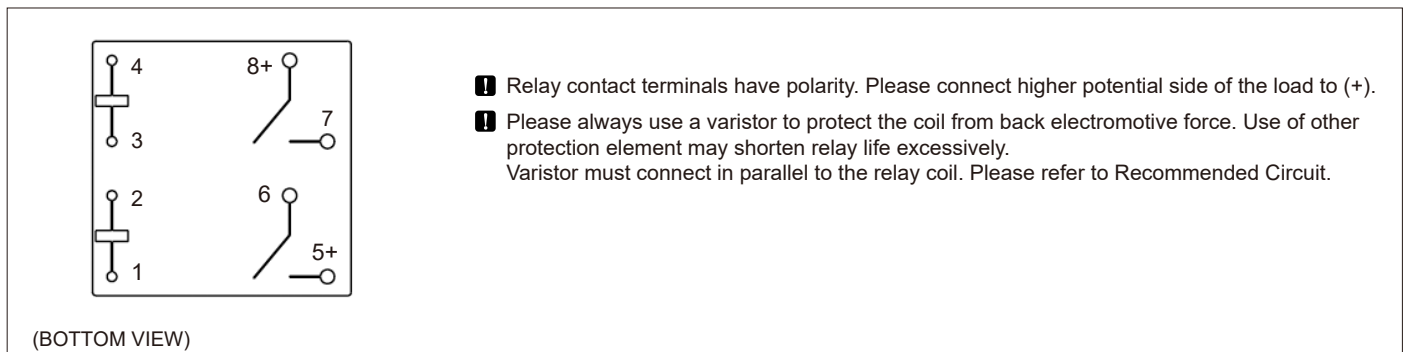


FTR-J2 Series

■ DIMENSIONS



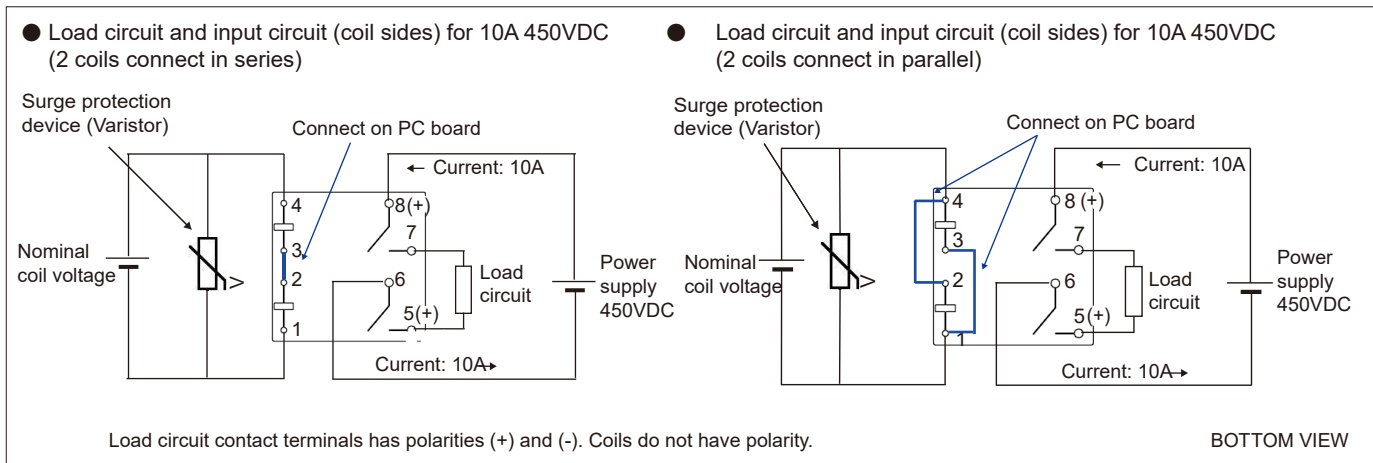
● Schematics (Bottom view)



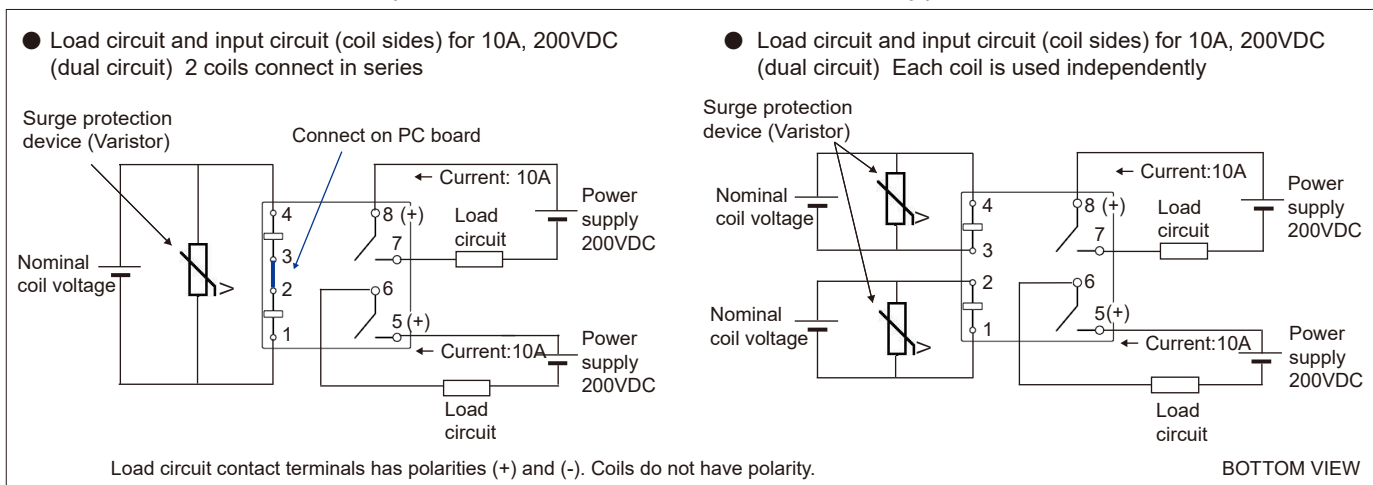
FTR-J2 Series

■ CIRCUIT

■ Recommended Circuit (2 contacts connected in series under the same common load)



■ Recommended Circuit (each contact is used independently)



Note 1: In case 2 coils are connected in series, connect coil terminal #2 to #3 on PCB circuit. In case 2 coils are connected in parallel, connect coil terminal #1 to #3 and connect coil terminal #2 to #4 on PCB. Regarding terminal number, refer to schematics data.

Note 2: Please use varistor as surge protection device. If varistor will not be used, the electrical life need to be derated.

Note 3: Varistor surge protection device should be connect parallel to coil(s). Suitable voltage of varistor is 3 times the coil voltage.

Note 4: For max. contact life and correct functioning of the relay, positive polarity of load should be connected to pin 8 and pin 5.

If not, damage to the relay can occur.

! Warning: At current loads at max. switching capacity 10A (200VDC) correct polarity is vital for the correct and safe functioning of the relay.

FTR-J2 Series

■ WARNING



We highly recommend to use the circuit layouts on this datasheet to switch 10A 450VDC or 10A 200VDC. Polarity of the terminals shall be kept as specified, otherwise fire or electric shock may occur. There would be a possibility that high voltage DC relay loses breaking current ability as one of failure modes. Please provide fail safeness design on the circuit not to result in any injury or deaths or damages. To secure safety, the relay shall not be used in exceeding its specifications including operation life, and handle the relay as a periodic maintenance component.

■ CAUTION

- ❗ Each coil shall be synchronized completely in case 2 coils are used separately at 10A 450VDC switching. Incomplete synchronization may shorten relay life excessively.
- ❗ Magnetic field is generated on the top surface of relay. Please consider its influence to other components. When 2 or more relays are mounted quite closely, please confirm operation before actual use.
- ❗ All values mentioned in this datasheet are provided under ideal conditions. Please perform the confirmation test before actual use.
- ❗ Reflow soldering is prohibited.
- ❗ Do not use FTR-J2 relays for automotive applications.
- ❗ Do not use relays in the atmosphere with sulfide gas, chloride gas or nitric oxide. Contact resistance may increase.
- ❗ Do not use silicon or silicon-containing product or materials near relays. It may cause contact failure.

FTR-J2 Series

GENERAL INFORMATION

1. ROHS Compliance

- All relays produced by FCL Components are compliant with RoHS directive 2011/65/EU, including commission delegated directive 2015/863.

2. Recommended lead free solder condition

- Lead free solder plating on relay terminals is Sn-3.0Ag-0.5Cu, unless otherwise specified. This material has been verified to be compatible with PbSn assembly process.
- Recommended solder for assembly: Sn-3.0Ag-0.5Cu.

Flow Solder Condition:

Pre-Heating: Maximum 120°C within 90 sec.

Soldering: Dip within 5 sec. at 255°C±5°C solder bath

Relay must be cooled by air immediately after soldering

Solder by Soldering Iron:

Soldering Iron: 30-60W

Temperature: Maximum 340-360°C

Duration: Maximum 3 sec.

We highly recommend that you confirm your actual solder conditions

3. Moisture Sensitivity

- Moisture Sensitivity Level standard is not applicable to electromechanical relays, unless otherwise indicated.

4. Tin Whiskers

- Dipped SnAgCu solder is known as presenting a low risk to tin whisker development. No considerable length whisker was found by our in house test.

Contact

Japan

FCL COMPONENTS LIMITED
Shinagawa Seaside Park Tower
12-4, Higashi-shinagawa 4-chome,
Tokyo 140 0002, Japan
Tel: +81-3-3450-1682
Email: fcl-contact@cs.fcl-components.com

North and South America

FCL COMPONENTS AMERICA, INC.
2055 Gateway Place Suite 480,
San Jose, CA 95110 USA
Tel: +1-408-745-4900
Email: fcai.components@fcl-components.com

Europe

FCL COMPONENTS EUROPE B.V.
Diamantlaan 25
2132 WV Hoofddorp, Netherlands
Tel: +31-23-556-0910
Email: info.fceu@cs.fcl-components.com

Asia Pacific

FCL COMPONENTS ASIA PTE LTD.
No. 20 Harbour Drive, #07-01B
Singapore 117612
Tel: +65-6375-8560
Email: fcal@fcl-components.com

China

FCL COMPONENTS (SHANGHAI) CO., LTD.
Unit 1105, Central Park - Jing An,
No.329 Heng Feng Road, Shanghai 200070,
China
Tel: +86-21-3253 0998
Email: fcsh@fcl-components.com

Web: www.fcl-components.com/en/

© 2024 FCL Components Limited. All rights reserved. All trademarks or registered trademarks are the property of their respective owners.

FCL Products are intended for general use, including without limitation, in personal, household and office environments, in buildings and for ordinary use in the industry. FCL Products are not intended to be used in applications where extremely high safety is required ("High Safety Required Applications"), such as, but not limited to, applications in nuclear facilities, in aircraft automatic flight control, in air traffic control, in mass transit system control, in missile launch system, in weapon systems, in medical equipment for life support or any application involving a direct serious risk of physical injury or death.

Please do not use FCL Products without securing the sufficient safety and reliability required for the High Safety Required Applications. In addition, FCL shall not be liable against the customer and/or any third party for any claims or damages arising in connection with the use of FCL Products in the High Safety Required Applications.

FCL warrants that its Products, if properly used and services, will conform to their specification and will be free from defects in material and workmanship for twelve months from delivery.

The implied warranties of merchantability and fitness for a particular purpose and all other warranties, representations and conditions, express or implied by statute, trade usage or otherwise, except as set forth in this warranty, are excluded and shall not apply to the Products delivered.

The contents, data and information in this datasheet are provided by FCL Components Limited as a service only to its user and only for general information purposes. The use of the contents, data and information provided in this datasheet is at the users' own risk.

FCL has assembled this datasheet with care and will endeavor to keep the contents, data and information correct, accurate, comprehensive, complete and up to date.

FCL Components Limited and affiliated companies do however not accept any responsibility or liability on their behalf, nor on behalf of its employees, for any loss or damage, direct, indirect or consequential, with respect to this datasheet, its contents, data, and information and related graphics and the correctness, reliability, accuracy, comprehensiveness, usefulness, availability and completeness thereof.

Nor do FCL Components Limited and affiliated companies accept on their behalf, nor on behalf of its employees, any responsibility or liability with respect to these datasheets, its contents, data, information and related graphics and the correctness, reliability, accuracy, comprehensiveness, usefulness, availability and completeness thereof. Rev. June 20, 2024.
